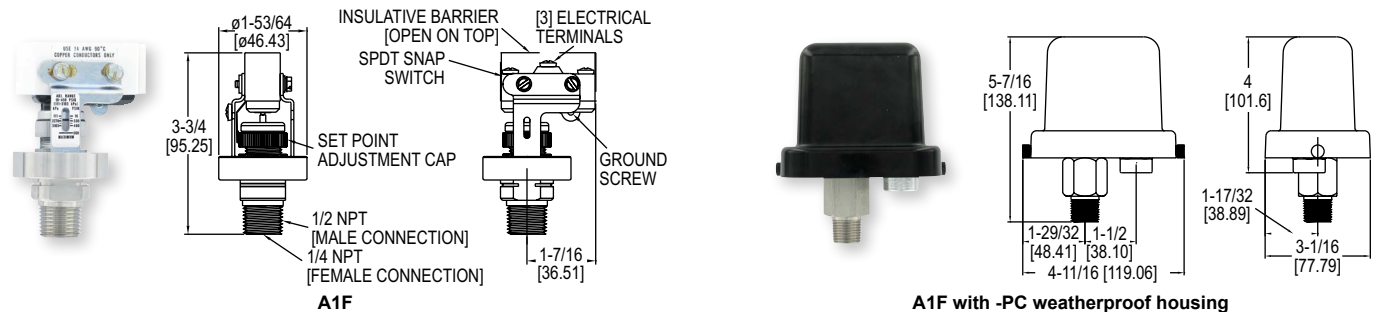


OEM PRESSURE SWITCH

Field Adjustable with Weather-Proof Enclosure

Single Pressure Switches



Low cost and precision made, the **Series A1F Low Cost OEM Pressure Switch** is ideal for OEM industrial applications. Wetted materials of 316 SS and fluorocarbon ensure great chemical compatibility with a wide range of process media. The open case style is perfect for panel mounting applications like pump skids. Weatherproof enclosure is available in polycarbonate offering a low cost weatherproof switch. Superior 15 A contact allows direct control of motors or pumps without the use of external relays, a true cost savings. Features include a convenient indicating scale for quick and easy field adjustment.

BENEFITS/FEATURES

- 15 A contact allows direct control reducing costs and reliability by having to introduce additional contacts and relays
- Case style allows use for panel mounting application with optional weather-proof enclosure for use in outdoor environments
- Field adjustable reduces installation time bring application on-line faster
- Wetted material provides support for wider range of process media

APPLICATIONS

- OEM
- Compressors
- Motor control
- Process equipment
- Pump control

SPECIFICATIONS	
Service:	Compatible liquids and gases.
Wetted Materials:	Pressure chamber: 316 SS; Diaphragm: Fluorocarbon.
Temperature Limit:	-40 to 175°F (-40 to 80°C).
Pressure Limits:	500 psig (34 bar).
Enclosure Rating:	No rating for open construction. Optional -PC enclosure meets NEMA 4X standards.
Switch Type:	SPDT snap switch.
Electrical Rating:	15 A @ 120/240/480 VAC; 1/8 HP @ 125 VAC; 1/4 HP @ 250 VAC.
Electrical Connection:	Screw terminals.
Process Connection:	1/4" female NPT and 1/2" male NPT.
Mounting Orientation:	Within 20° of vertical.
Set Point Adjustment:	Knurled screw cap with indicating scale.
Deadband:	Fixed. See deadband chart.
Weight:	10.5 oz (297 g).
Compliance:	cULus.

MODEL CHART			
Model	Range psig (bar)	Deadband at Min. Range psig (bar)	Deadband at Max. Range psig (bar)
A1F-O-SS-1-1	2 to 15 (0.14 to 1.03)	2 (0.14)	3 (0.21)
A1F-O-SS-1-2	4 to 75 (0.28 to 5.17)	4 (0.27)	15 (1.0)
A1F-O-SS-1-3	8 to 225 (0.55 to 15.5)	8 (0.55)	25 (1.7)
A1F-O-SS-1-4	16 to 450 (1.1 to 31.0)	15 (1.0)	50 (3.5)
Note: Optional enclosure factory installed. To order, change O to PC.			
Example: A1F-PC-SS-1-1			